



ECS-WHT-551PNPP183LZ

**SPECIFICATION DATA SHEET**

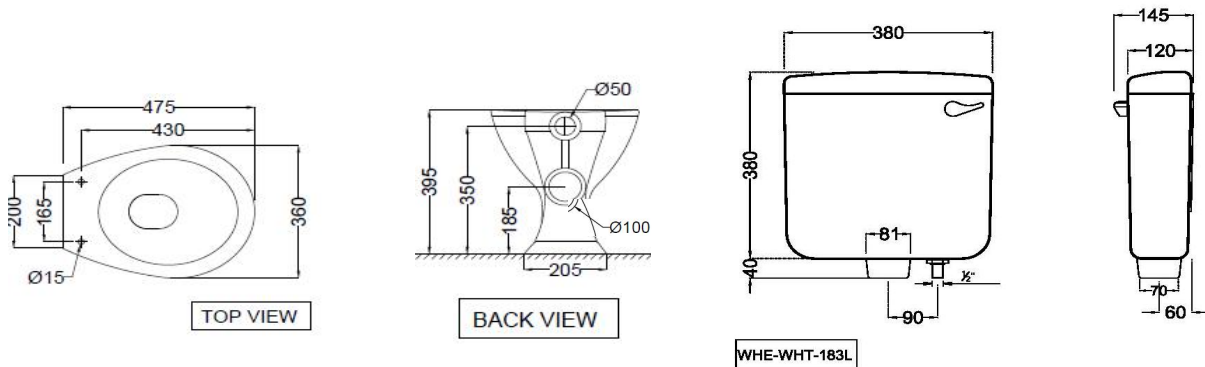
**PRODUCT DETAILS**

<b>Manufacturer :</b>	ESSCO	<b>Type:</b>	EWC P-Trap with Wall Hung Cistern
<b>Colour:</b>	White	<b>Outlet</b>	Horizontal
<b>Technical Details:</b>	Internal diameter of inlet hole dia. $\varnothing 50 \pm 3$ mm	<b>Material:</b>	Ceramic - Vitreous China
	External diameter of outlet hole dia. $\varnothing 100 \pm 5$ mm	Vertical distance between the Floor and the centre line of the inlet hole $\leq 350$ mm	

**PRODUCT IMAGE**



**TECHNICAL DRAWING**



<b>Product Dimension</b>	360x475x395 mm	<b>FEATURES</b>  combine packing with pvc Wall Hung Cistern Convenience benefit to customer (Price + Packing),Dual Flushing - 3/6 LPF, Anti germ glaze, Trap glaze,
<b>Trap Distance</b>	P Trap - 180 mm	
<b>Product Weight</b>	13.8 Kg	

**ACCESSORIES INCLUDED**

PP Normal close	ECS-WHT-109N
Fixing screw Normal	ZPS-SNS-FB01
Wall Hung Cistern	WHE-WHT-183NL
L-type bend pipe	ZPS-WHT-LB01
Extension pipe	ZPS-WHT-EX01

**CERTIFICATION**

All technical dimensions are in accordance to Bureau of Indian Standards

DISCLAIMER: Our every effort has been made to ensure factual accuracy, the information presented subject to changes due to requirements in different sites, markets and/or countries. All dimensions are in mm (Tolerance  $\pm 5$  MM). Jaquar reserves the right to make the necessary amendments at any time without prior notice.