



AIS-WHT-101351NPPSMZ

SPECIFICATION DATA SHEET

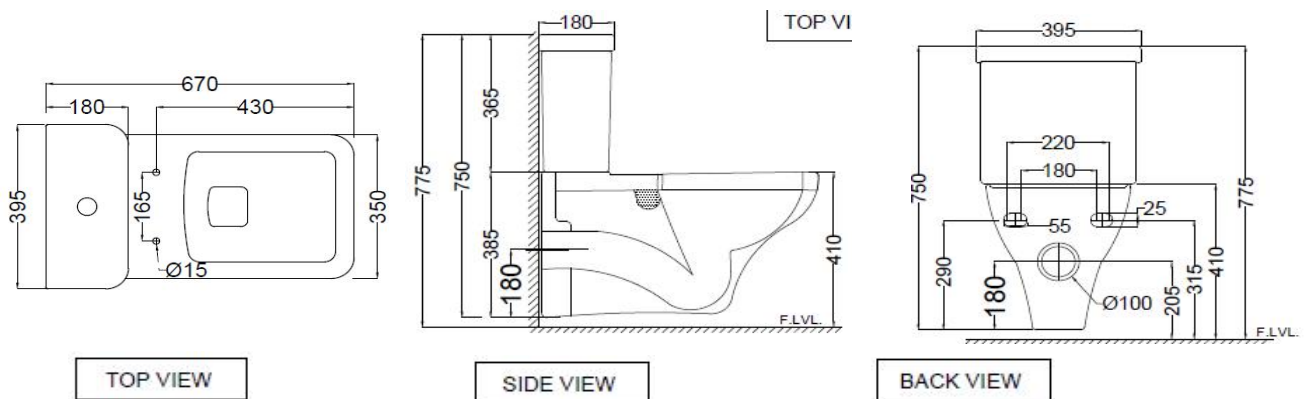
PRODUCT DETAILS

Manufacturer :	ESSCO	Type:	Complete Set For Extended Wall Hung WC
Colour:	White	Outlet	Horizontal
Technical Details:	External diameter of outlet hole dia. $\varnothing 100 \pm 5$ mm	Material:	Ceramic - Vitreous China
	Vertical distance between the Floor and the centre line of the waste outlet hole ≤ 205 mm		

PRODUCT IMAGE



TECHNICAL DRAWING



Product Dimension	395x670x750 mm	FEATURES Complete Trap Glaze, Combind Paking with slim seat cover Accessories ,Dual Flushing - 3/6 LPF, Anti germ glaze.
Trap Distance	P-Trap - 205 mm	
Product Weight	33.4 kg	

ACCESSORIES INCLUDED

Normal Close Seat cover	AIS-WHT-103N
Outlet gasket	ZPS-BLK-GK02
Cistern	AIS-WHT-101201C
Cistern Fittings	ZCF-WHT-FT003

ACCESSORIES EXCLUDED

Rag bolt	ZPS-SNS-RB01 & ZPS-MST-RB02
----------	-----------------------------

CERTIFICATION

All technical dimensions are in accordance to Bureau of Indian Standards

DISCLAIMER: Our every effort has been made to ensure factual accuracy, the information presented subject to changes due to requirements in different sites, markets and/or countries. All dimensions are in mm (Tolerance ± 5 MM). Jaquar reserves the right to make the necessary amendments at any time without prior notice.
