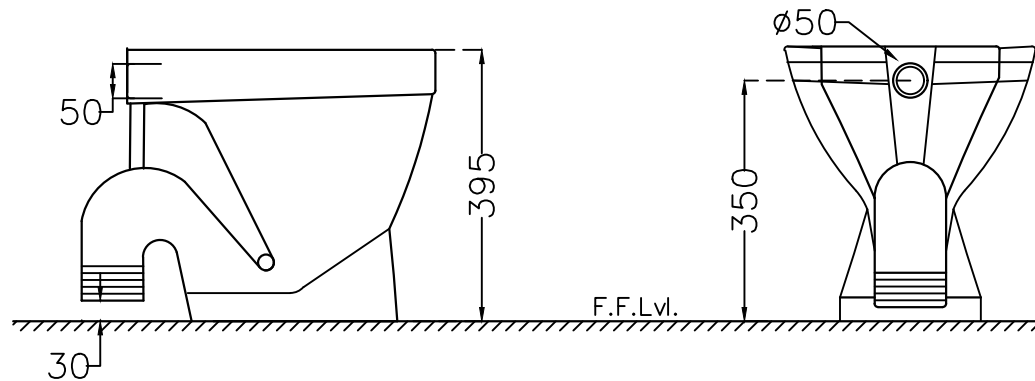



TOP VIEW



SIDE VIEW

BACK VIEW

	Jaquar Group Global Headquarters Plot No. 3, Sector- M-11, IMT Manesar Gurgaon, NCR - 122050, India E-mail : Sales: support@jaquar.com Customer Service : service@jaquar.com		ITEM CODE	AIS-WHT-101551SSPPSM
	ITEM TYPE	EWC S TRAP		
	ITEM SIZE	340x510x395 mm		
	ALL DIMENSIONS ARE IN MM. (TOLERANCE ± 5 MM)			