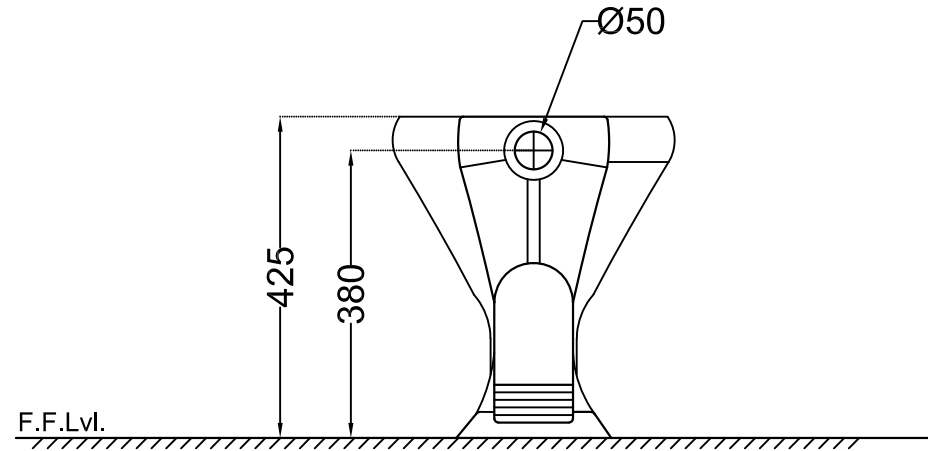
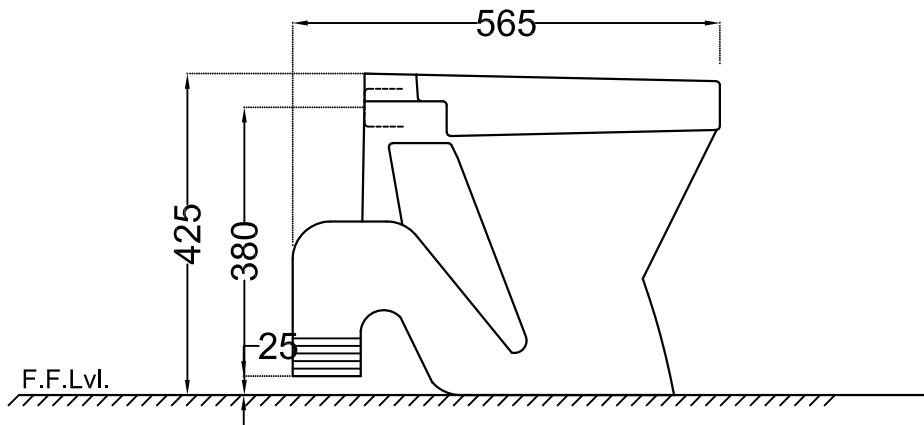


TOP VIEW



BACK VIEW



SIDE VIEW

 BY <b>Jaquar</b> GROUP	<b>Jaquar Group</b> Global Headquarters Plot No. 3, Sector- M-11, IMT Manesar Gurgaon, NCR - 122050, India E-mail : Sales: support@jaquar.com Customer Service : service@jaquar.com		ITEM CODE ECS-WHT-557SSPP
	ITEM TYPE EWC S-Trap	ITEM SIZE 345x565x425 mm	
	ALL DIMENSIONS ARE IN MM. (TOLERANCE ± 5 MM)		