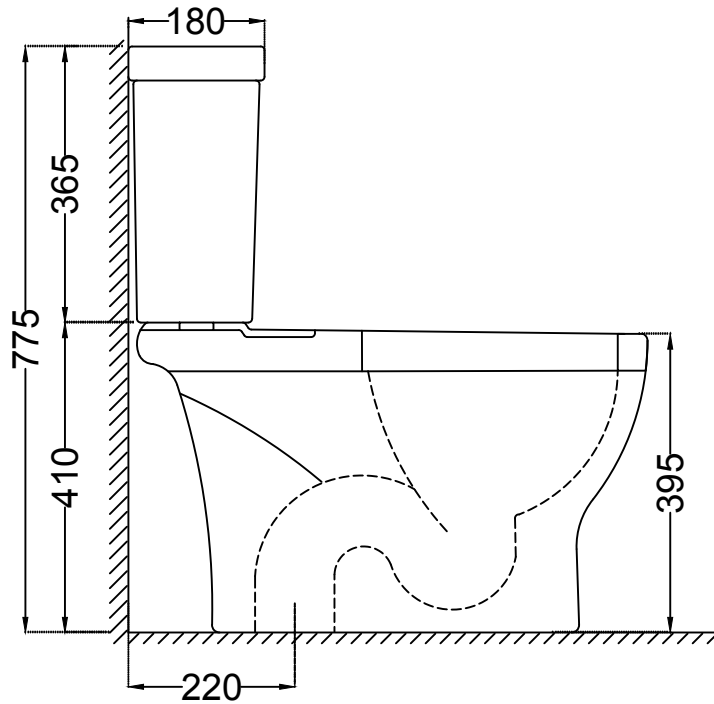
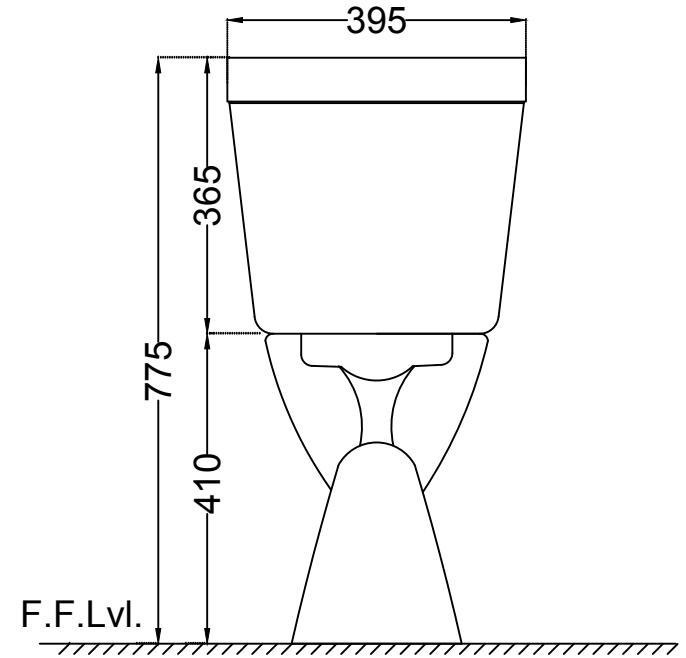



TOP VIEW



SIDE VIEW



BACK VIEW

	Jaquar Group	
	Global Headquarters Plot No. 3, Sector- M-11, IMT Manesar Gurgaon, NCR - 122050, India E-mail : Sales: support@jaquar.com Customer Service : service@jaquar.com	
	ITEM CODE	AIS-WHT-101751S220NPPSMZ
	ITEM TYPE	COUPLED WC S-TRAP 220 MM
ITEM SIZE	395x680x775 mm	
ALL DIMENSIONS ARE IN MM. (TOLERANCE ± 5 MM)		