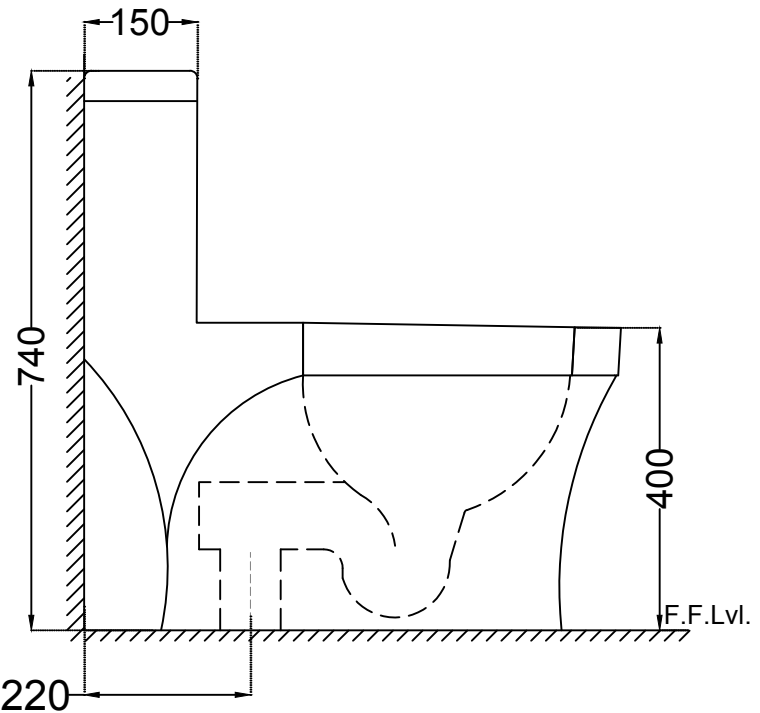


TOP VIEW



S-TRAP = 220

SIDE VIEW

	Jaquar Group		ITEM CODE	ECS-WHT-851S220NPP
	Global Headquarters Plot No. 3, Sector- M-11, IMT Manesar Gurgaon, NCR - 122050, India E-mail : Sales: support@jaquar.com Customer Service : service@jaquar.com		ITEM TYPE	SINGLE PIECE WC S-TRAP: 220 MM
			ITEM SIZE	365x675x740 mm
	ALL DIMENSIONS ARE IN MM. (TOLERANCE ± 5 MM)			