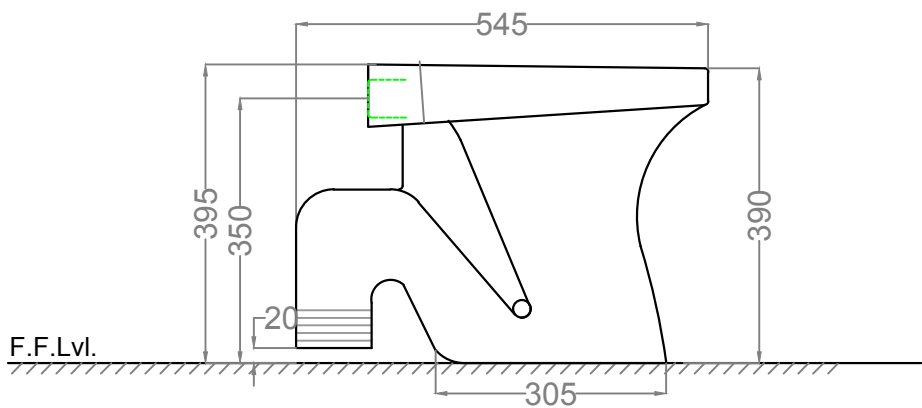
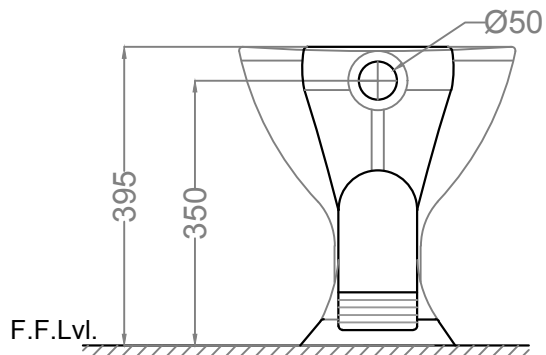


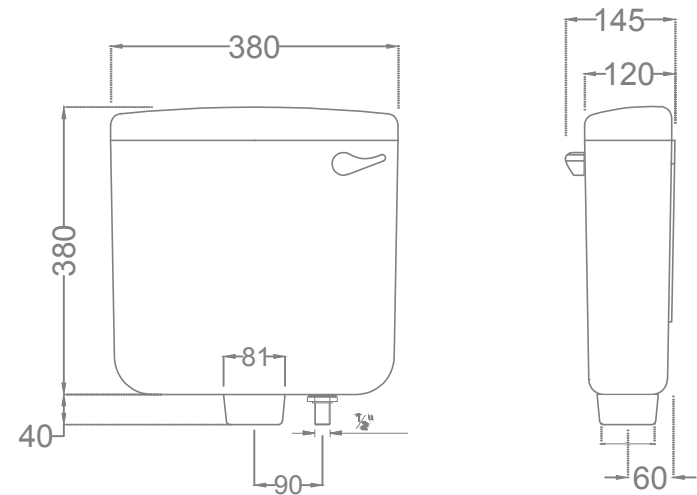
TOP VIEW



SIDE VIEW

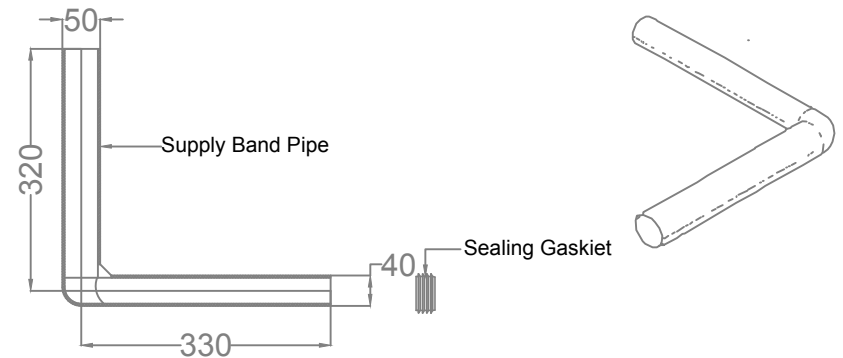


BACK VIEW



WHE-WHT-183L

Smart Single Flush Wall Hung Cistern with Drainage Pipe with Gasket & Installation kit (Suitable for EWC)



L - Bend

| | | | | |
|-----------|--|----------------------------|--|----------------------|
| | Jaquar Group Global Headquarters Plot No. 3, Sector- M-11, IMT Manesar Gurgaon, NCR - 122050, India E-mail : Sales: support@jaquar.com Customer Service : service@jaquar.com | | ITEM CODE | ECS-WHT-551SNPP183LZ |
| | ITEM TYPE | EWC WITH WALL HUNG CISTERN | | |
| ITEM SIZE | 360x545x395 mm | | ALL DIMENSIONS ARE IN MM. (TOLERANCE ± 5 MM) | |