

SPECIFICATION DATA SHEET

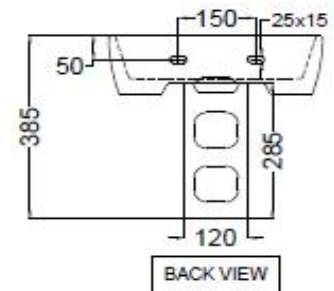
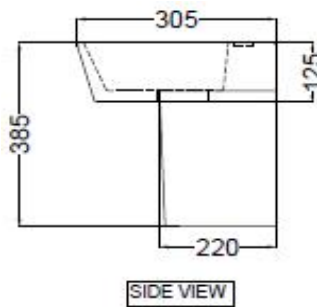
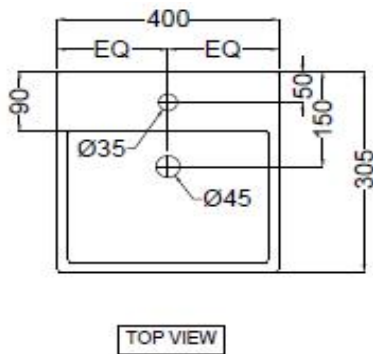
PRODUCT DETAILS

Manufacturer :	ESSCO	Type:	Wall Hung Basin
Outlet	Vertical	Colour:	White
Technical Details:	Tap hole dia. $\varnothing 35 \pm 2$ mm	Material:	Ceramic - Vitreous China
	ID of waste outlet hole dia. $\varnothing 45 \pm 3$ mm Horizontal distance between the center line of the tap hole and the center line of the waste outlet hole ≤ 100 mm		

PRODUCT IMAGE



TECHNICAL DRAWING



Product Dimension	400x305x125 mm With pedestal 385 mm	FEATURES Rectangle design, Provide with Accessories, Anti germ glaze
Basin Inner Dimension	380x275x100 mm	
Product Weight	7.5 kg	

ACCESSORIES INCLUDED

Basin fixing screw

ZPS-MST-RB03

ACCESSORIES EXCLUDED

CERTIFICATION

Compliance : IS 2556.2:2004, IS 2556.1:1994 , EN 997 :2012+A1, BS EN 14124:2004/CE

All technical dimensions are in accordance to British standards, Bureau of Indian Standards



DISCLAIMER: Our every effort has been made to ensure factual accuracy, the information presented subject to changes due to requirements in different sites, markets and/ or countries. All dimensions are in mm (Tolerance ± 5 MM). Jaquar reserves the right to make the necessary amendments at any time without prior notice.