

SPECIFICATION DATA SHEET

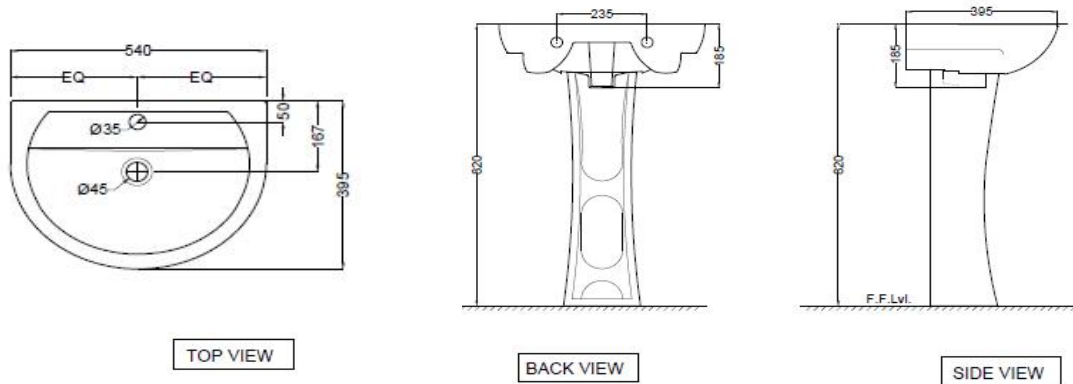
PRODUCT DETAILS

Manufacturer :	ESSCO	Type:	Wall Hung Basin
Outlet	Vertical	Colour:	White
Technical Details:	Tap hole dia. $\varnothing 35 \pm 2$ mm	Material:	Ceramic - Vitreous China
	ID of waste outlet hole dia. $\varnothing 45 \pm 3$ mm Horizontal distance between the center line of the tap hole and the center line of the waste outlet hole ≤ 117 mm		

PRODUCT IMAGE



TECHNICAL DRAWING



Product Dimension	540x395x185 mm With pedestal 820 mm	FEATURES With Tap Hole, Packed with Overflow Hole Cap and Fixing, Packed with Accessories Anti germ glaze.
Basin Inner Dimension	470x250x140 mm	
Product Weight	12.8 kg	
ACCESSORIES INCLUDED		
Overflow hole Cap		ZPS-WHT-9012
Basin fixing screw		ZPS-MST-RB03

CERTIFICATION

Compliance : IS 2556.4:2004, IS 2556.1:1994, BS EN 14688 :2015

All technical dimensions are in accordance to British standards, Bureau of Indian Standards



DISCLAIMER: Our every effort has been made to ensure factual accuracy, the information presented subject to changes due to requirements in different sites, markets and/ or countries. All dimensions are in mm (Tolerance ± 5 MM). Jaquar reserves the right to make the necessary amendments at any time without prior notice.