



ELEMENTS

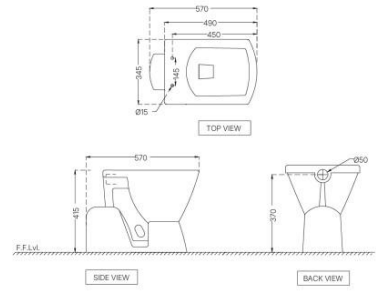


Elements



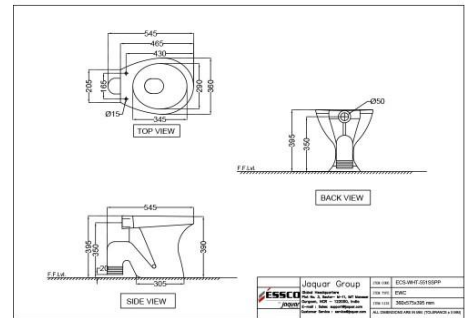
ECS-WHT-557NSSPPSM

EWC S Trap



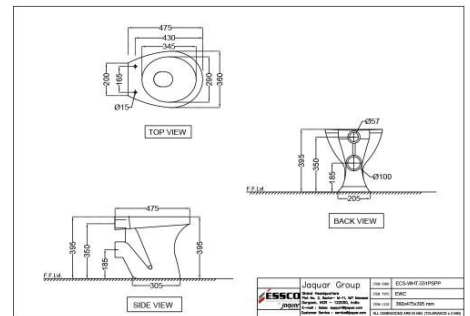
ECS-WHT-551SSPP

EWC S Trap



ECS-WHT-551PSP

EWC P Trap

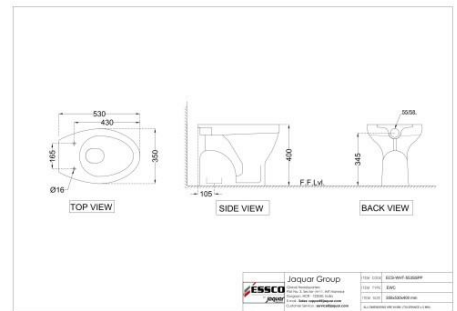


Elements



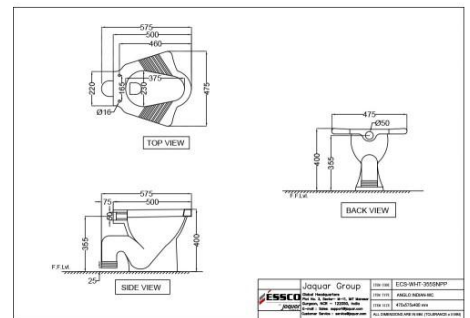
ECS-WHT-553SSPP

EWC



ECS-WHT-355SNPP

Anglo Indian WC



ECS-WHT-355PNPP

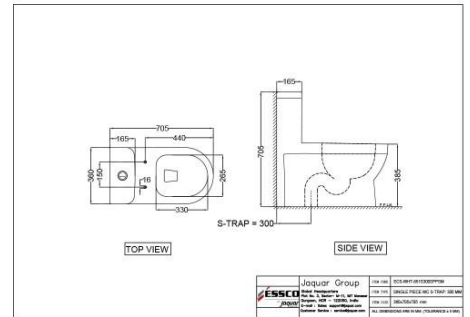
Anglo Indian-WC

Elements



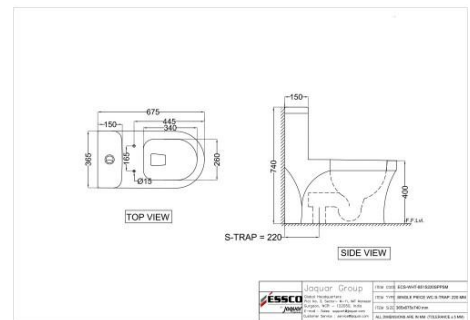
ECS-WHT-851S300SPPSM

Single Piece WC



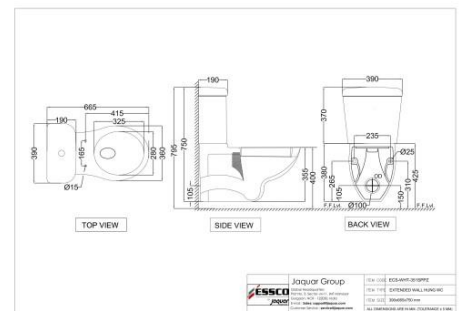
ECS-WHT-851S220SPPSM

Single Piece WC



ECS-WHT-351SPPZ

Extended Wall Hung WC

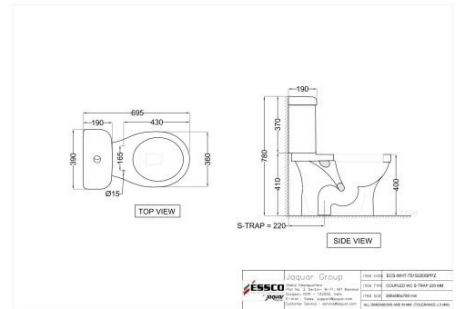


Elements



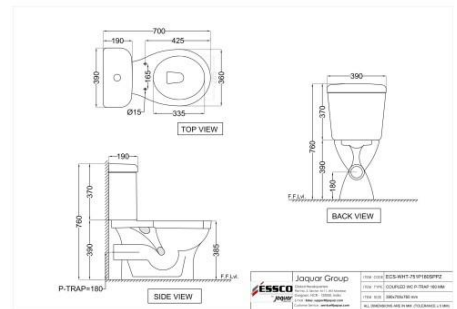
ECS-WHT-751S220SPPZ

Bowl with Cistern for Coupled WC



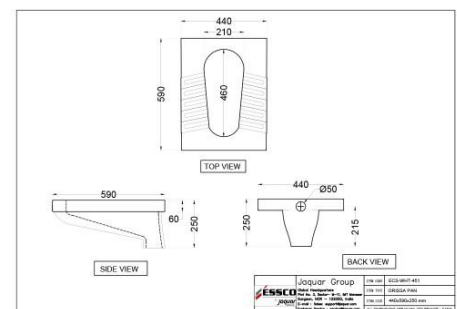
ECS-WHT-751P180SPPZ

Bowl with cistern for Coupled WC



ECS-WHT-451

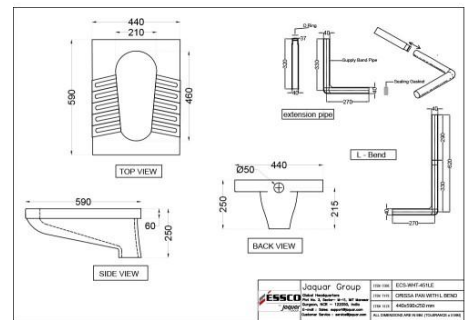
Orissa Pan



Elements

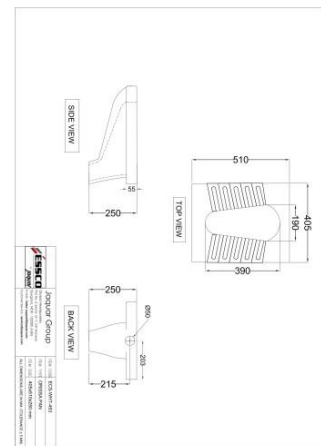
ECS-WHT-451LE

Orissa Pan



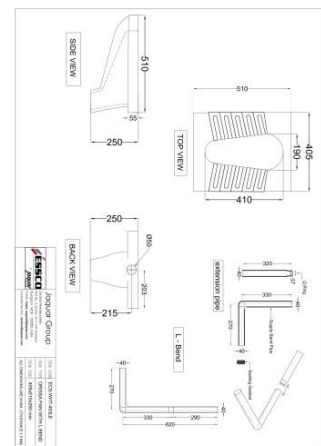
ECS-WHT-453

Orissa Pan



ECS-WHT-453LE

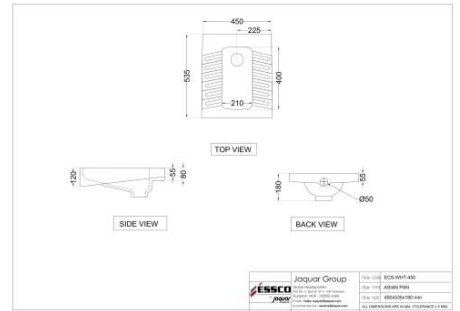
Orissa Pan



Elements

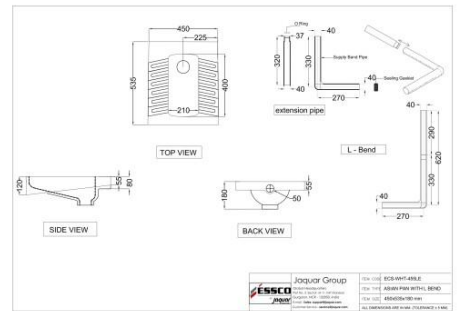
ECS-WHT-455

Asian Pan



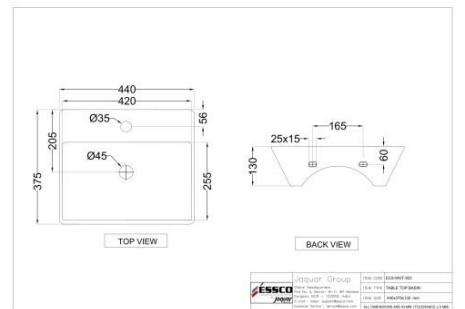
ECS-WHT-455LE

Asian Pan



ECS-WHT-933

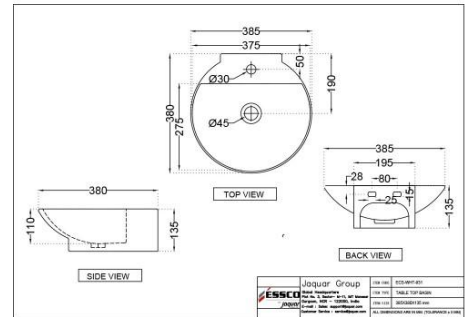
Table Top Basin



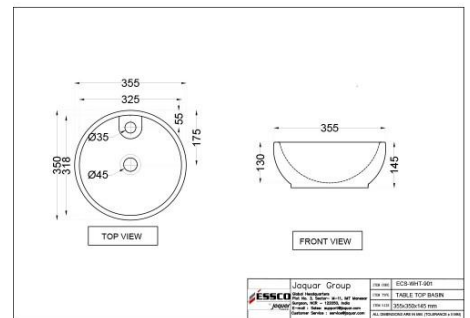
Elements



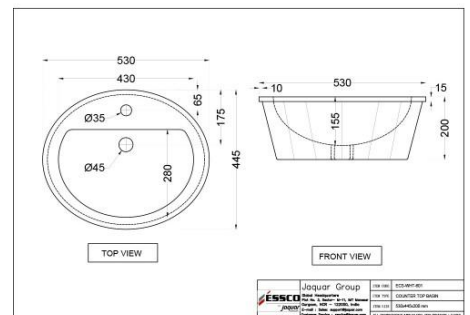
ECS-WHT-931
Table Top Basin



ECS-WHT-901
Table Top Basin



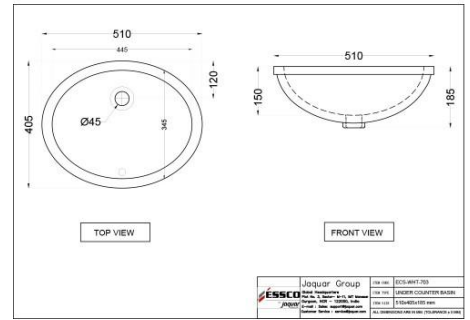
ECS-WHT-601
Counter Top Basin



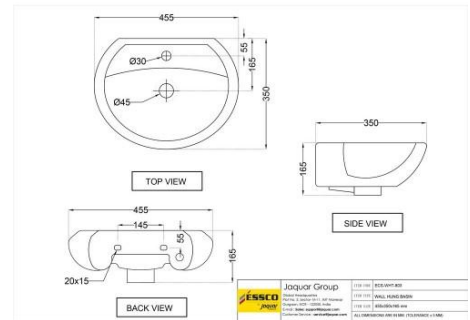
Elements



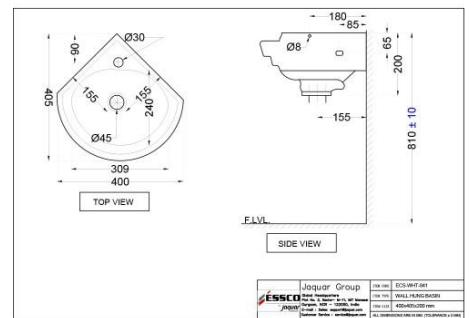
ECS-WHT-703
Under Counter Basin



ECS-WHT-803
Wall Hung Basin



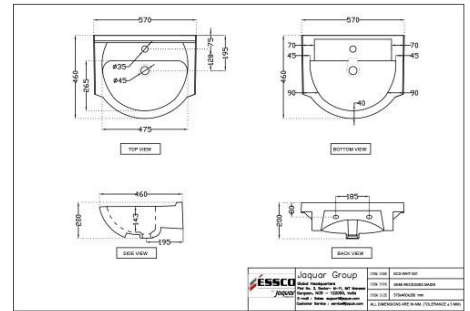
ECS-WHT-841
Wall Hung Corner Basin



Elements



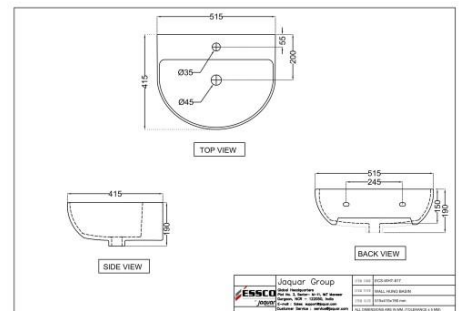
ECS-WHT-501
Semi Recessed Basin



ECS-WHT-301
Full Pedestal



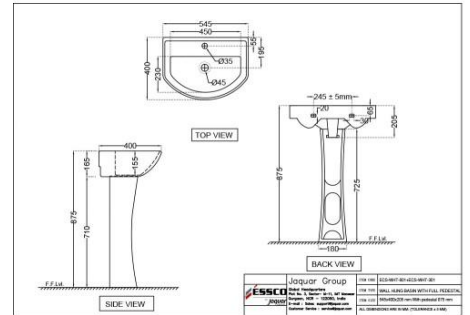
ECS-WHT-817
Wall Hung Basin



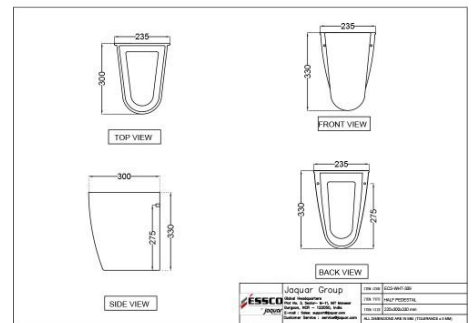
Elements



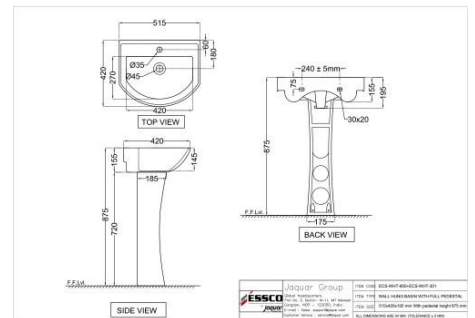
ECS-WHT-801
Wall Hung Basin



ECS-WHT-309
Half Pedestal



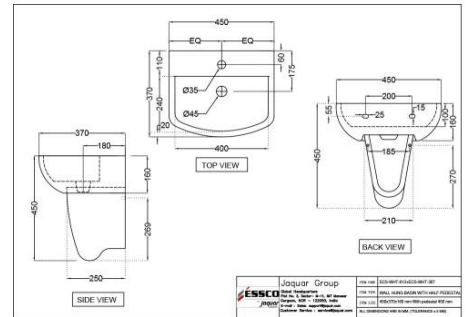
ECS-WHT-805
Wall Hung Basin



Elements

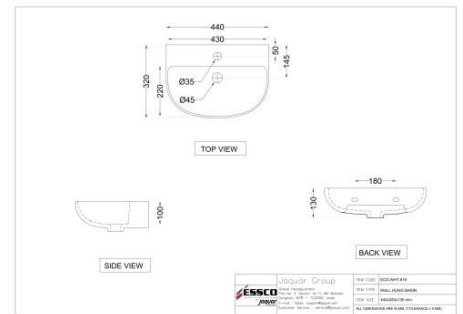
ECS-WHT-813

Wall Hung Basin



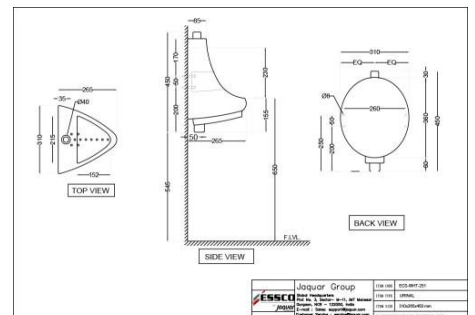
ECS-WHT-819

Wall Hung Basin



ECS-WHT-251

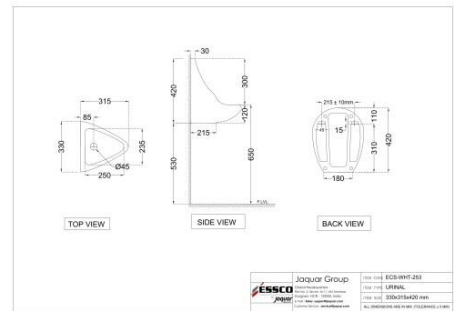
Urinal





ECS-WHT-253

Urinal



Disclaimer

- Jaquar reserves the right at its sole discretion, to change/modify/alter any product specification at any time without notice, where improvement can be effected in design, development and dimensions.
- Although the information shown in this catalogue is updated to the extent possible but the same may vary. It is advisable to consult our local representative or check in a period manner for latest technical and other updates.
- The prices are subject to change without notice and those ruling at the time of supply will be charged.
- Colours & sizes of product images shown in the Website may vary in reality